

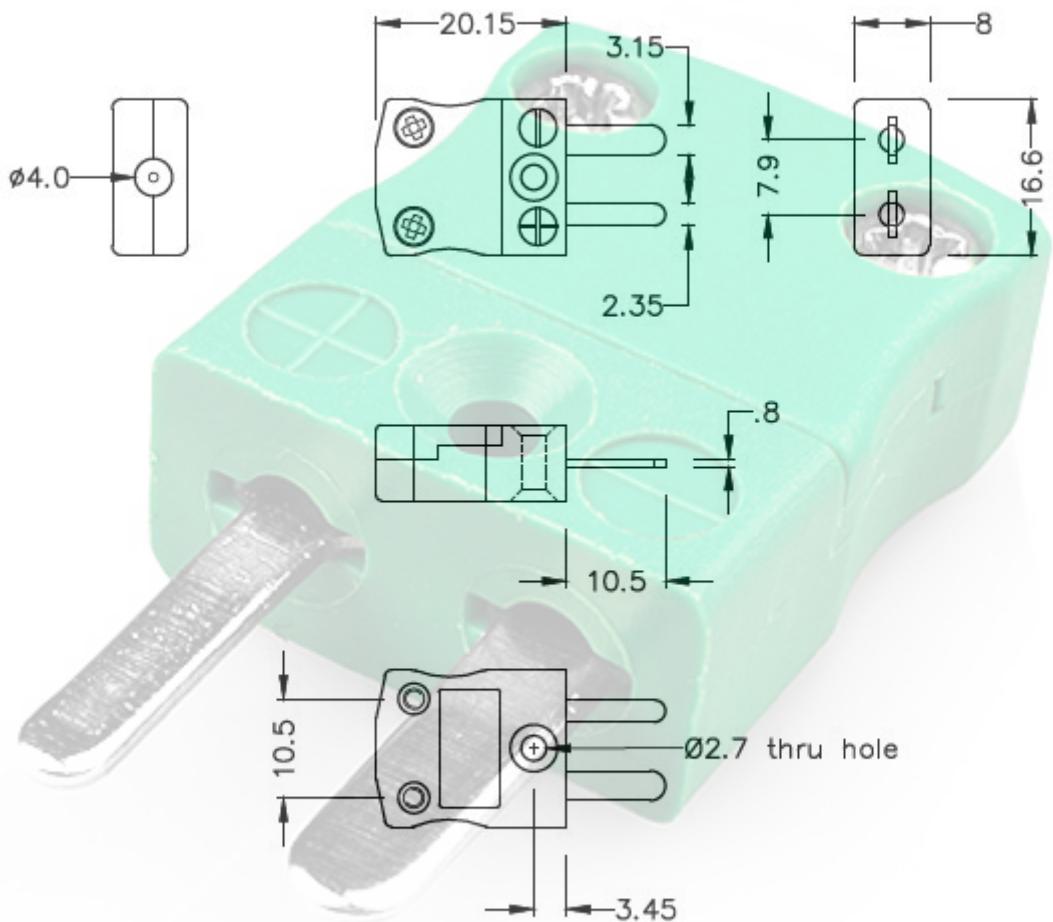


LABFACILITY

TEMPERATURE & PROCESS TECHNOLOGY



THIRD ANGLE PROJECTION



Miniature in-line Plug

(dimensions in mm)